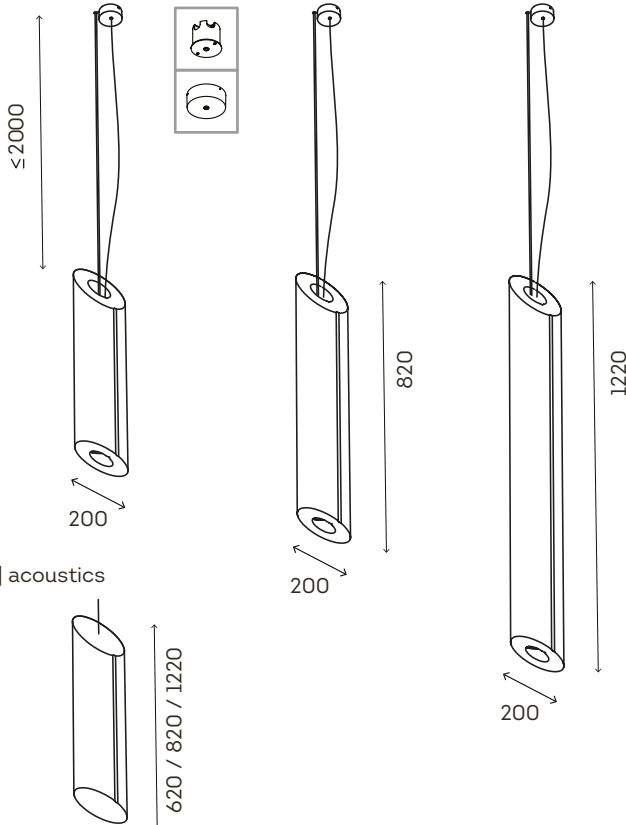




MODEL
SLANTED



[1] light & acoustics



[2] acoustics

TYPES & COATING

sizes	type	flock
620 x 200 mm	[1] light & acoustics	v
	[2] acoustics	v
820 x 200 mm	[1] light & acoustics	v
	[2] acoustics	v
1220 x 200 mm	[1] light & acoustics	v
	[2] acoustics	v

BASIC MATERIAL Basotect absorption foam

LIGHT SOURCE by BAZIR Zzip spot led
 10 watt - cri 90+ - 988 lm
 - Triac Dim
 - 1-10v / push / dali dimmable
 2700° K / 3000° K
 Beam: 25° - 40°



COLORS FLOCK

