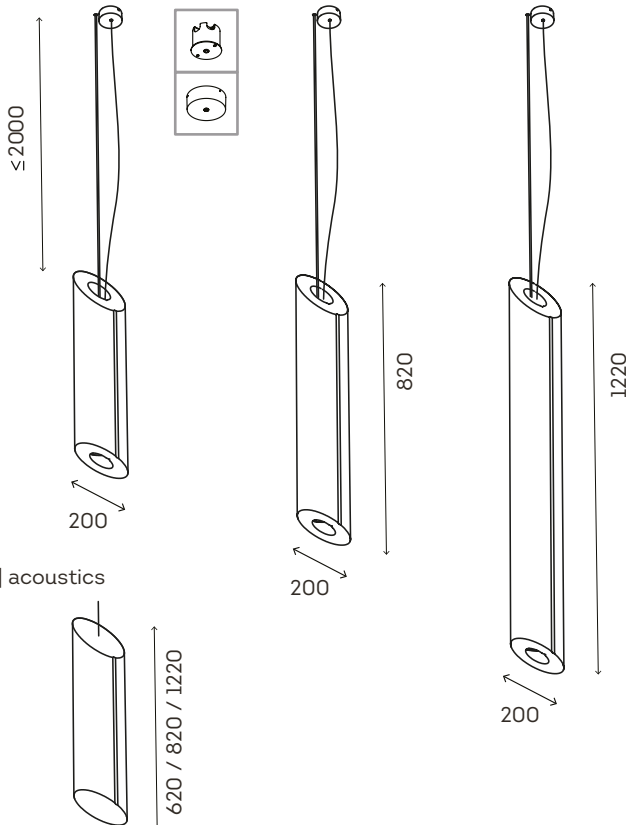




MODEL  
**SLANTED**



[1] light & acoustics



[2] acoustics

### TYPES & COATING

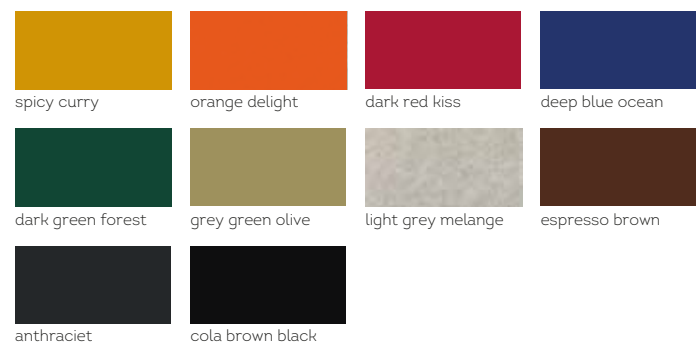
sizes	type	flock
620 x 200 mm	[1] light & acoustics	v
	[2] acoustics	v
820 x 200 mm	[1] light & acoustics	v
	[2] acoustics	v
1220 x 200 mm	[1] light & acoustics	v
	[2] acoustics	v

**BASIC MATERIAL** Basotect absorption foam

**LIGHT SOURCE by BAZIR** Zzip spot led  
 10 watt - cri 90+ - 988 lm  
 - Triac Dim  
 - 1-10v / push / dali dimmable  
 2700° K / 3000° K  
 Beam: 25° - 40°



### COLORS FLOCK



HAND CRAFTED  
 premium quality

