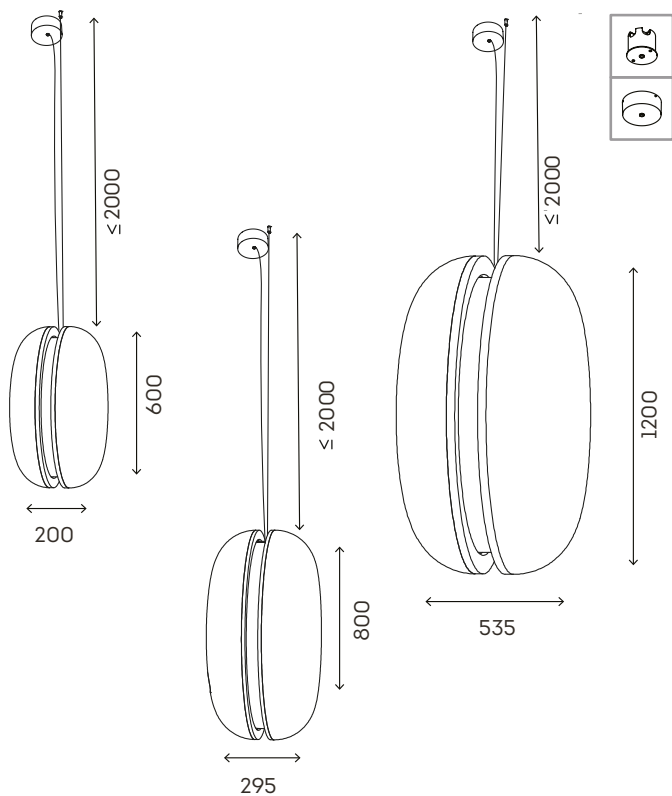




MODEL
MACARON upright



TYPES & COATING

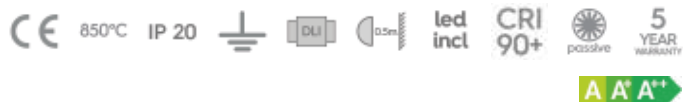
sizes	type	flock
Ø 600 mm x h200 mm	[1] light & acoustics	v
Ø 800 mm x h295 mm	[1] light & acoustics	v
Ø 1200 mm x h535 mm	[1] light & acoustics	v

BASIC MATERIAL Basotect absorption foam

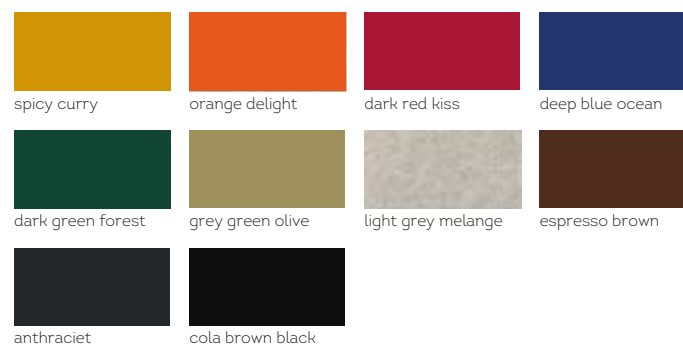
LIGHT SOURCE LED strip non-dimmable
by BAZIR

- Ø 600 mm / 43 watt - 2600 lm
- Ø 800 mm / 56 watt - 3400 lm
- Ø 1200 mm / 70 watt - 4200 lm

2700° K / 3000° K



COLORS FLOCK



HAND CRAFTED
 premium quality

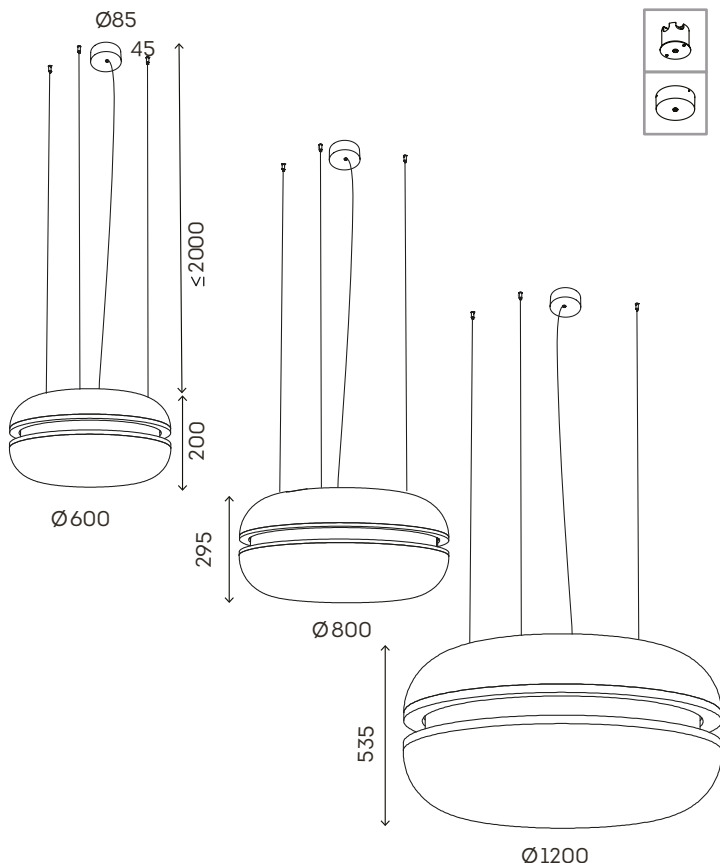




MODEL
MACARON horizontal



MACARON



TYPES & COATING

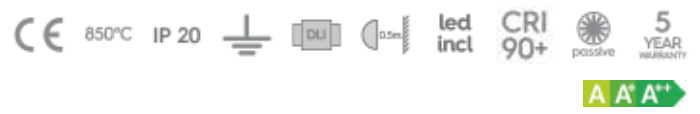
sizes	type	flock
Ø 600 mm x h200 mm	[1] light & acoustics	v
Ø 800 mm x h295 mm	[1] light & acoustics	v
Ø 1200 mm x h535 mm	[1] light & acoustics	v

BASIC MATERIAL Basotect absorption foam

LIGHT SOURCE LED strip non-dimmable
 by BAZIR

- Ø 600 mm / 43 watt - 2600 lm
- Ø 800 mm / 56 watt - 3400 lm
- Ø 1200 mm / 70 watt - 4200 lm

2700° K / 3000° K



COLORS FLOCK



HAND CRAFTED
 premium quality

