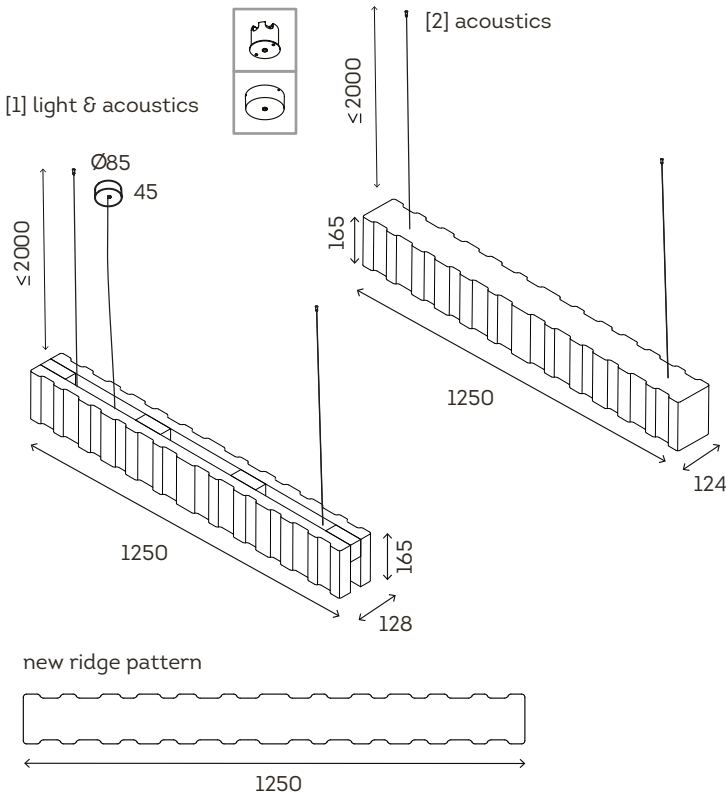




MODEL
BEAM



TYPES & COATING

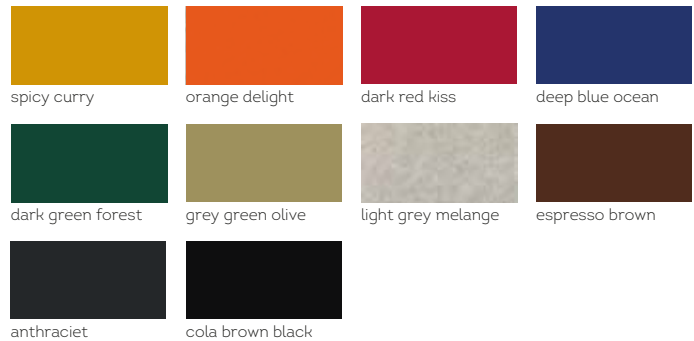
sizes	type	flock
1250 x 165 x 128 mm	[1] light & acoustics	v
1250 x 165 x 124 mm	[2] acoustics	v

BASIC MATERIAL Basotect absorption foam

LIGHT SOURCE by BAZIR Ledline
 19,2 watt - cri 90+ - 1230 lm
 non dimmable
 2700° K / 3000° K



COLORS FLOCK



NEW RIDGE PATTERN

